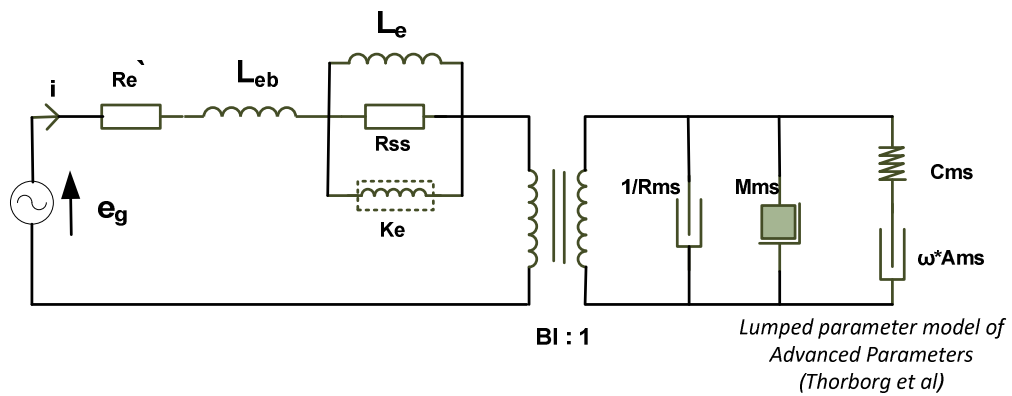


15M/4624G00



Electrical data

DC resistance ($R_{e'}$)	3.16	[Ω]
Free inductance (L_{eb})	0.067	[mH]
Bound inductance (L_e)	0.50	[mH]
Semi inductance (K_e)	0.026	SH
Shunt resistance (R_{ss})	82	[Ω]

Mechanical data

Force factor (BI)	5.08	[Tm]
Moving mass (M_{ms})	6.4	[g]
Compliance (C_{ms})	0.66	[mm/N]
Admittance (A_{ms})	0.07	[mm/N]
Mechanical resistance (R_{ms})	0.50	[Ns/m]