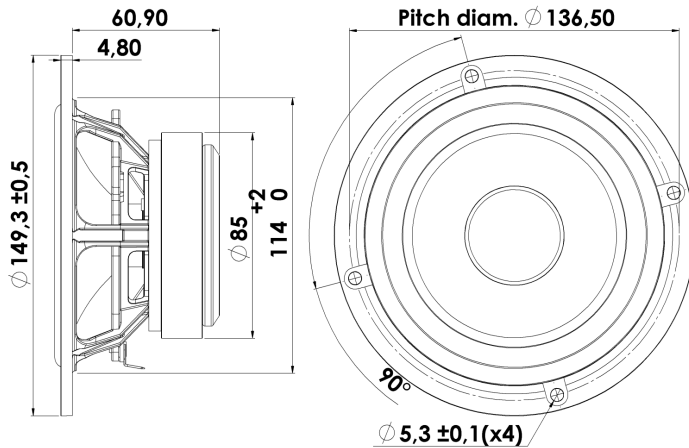


15 cm Midwoofer

15W/4424G00



T-S Parameters:

Resonance frequency [fs]	46 Hz
Mechanical Q factor [Qms]	3.26
Electrical Q factor [Qes]	0.26
Total Q factor [Qts]	0.24
Force factor [Bl]	5.2 Tm
Mechanical resistance [Rms]	0.7 kg/s
Moving mass [Mms]	7.9 g
Compliance [Cms]	1.51 mm/N
Effective diaph. diameter [D]	101 mm
Effective piston area [Sd]	80 cm ²
Equivalent volume [Vas]	13.8 l
Sensitivity (2,83V/1m)	90.5 dB

Mechanical Data:

Voice coil diameter	25 mm
Voice coil height	10.5 mm
Voice coil layers	2
Gap height	5 mm
Linear excursion	± 2.8 mm
Max mech. excursion	± 8 mm
Unit weight	1 kg
Cabinet Displacement Volume	0.20 l

Electrical Data:

Nominal impedance [Zn]	4 Ω
Minimum impedance [Zmin]	4.1 Ω
Maximum impedance [Zo]	52.1 Ω
DC resistance [Re]	3.1 Ω
Voice coil inductance [Le]	0.37 mH

Power Handling:

100h RMS noise test (IEC 18.4)	60 W
Long-term max power (IEC 18.2)	120 W
X-over:	None

Key Features:

- High Output 90,5dB @ 2,83V
- Excellent Midrange Performance
- Coated NRSC Fibre Glass Cone
- Low Damping SBR Rubber Surround
- Die cast Alu Chassis vented below spider

Recommendations (please see Tech Note):

- Operating frequency range: fs-10000 Hz
- Cabinet volume - closed box: N.a.
- Cabinet volume - vented box: N.a.

