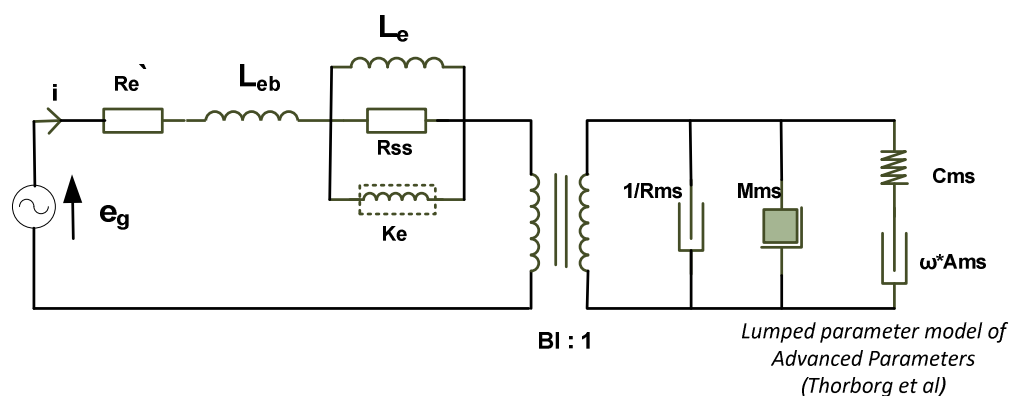


15WU/4741T00



Electrical data

DC resistance ($R_{e'}$)	3.25	[Ω]
Free inductance (L_{eb})	0.046	[mH]
Bound inductance (L_e)	4.85	[mH]
Semi inductance (K_e)	0.078	SH
Shunt resistance (R_{ss})	5	[Ω]

Mechanical data

Force factor (BI)	5.92	[Tm]
Moving mass (M_{ms})	14.1	[g]
Compliance (C_{ms})	1.30	[mm/N]
Admittance (A_{ms})	0.22	[mm/N]
Mechanical resistance (R_{ms})	0.81	[Ns/m]