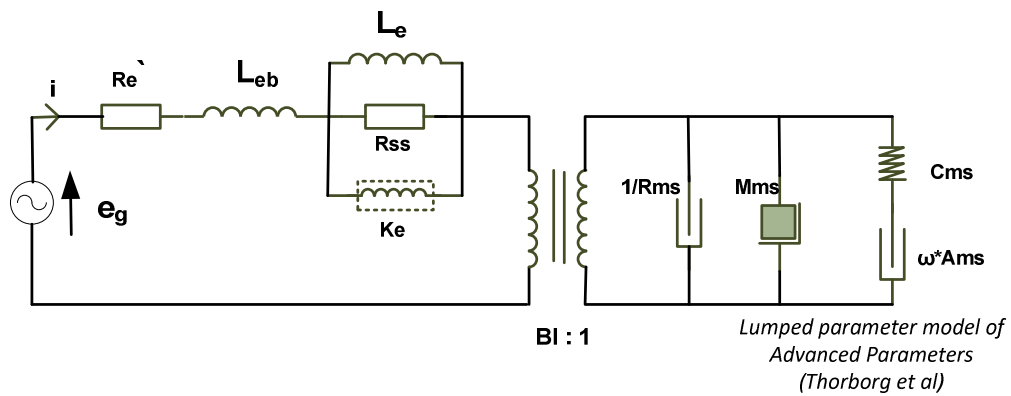


# 18W/4531G00



### Electrical data

DC resistance ( $R_{e'}$ )	3.39	[ $\Omega$ ]
Free inductance ( $L_{eb}$ )	0.0891	[mH]
Bound inductance ( $L_e$ )	1.59	[mH]
Semi inductance ( $K_e$ )	0.0169	SH
Shunt resistance ( $R_{ss}$ )	32.6	[ $\Omega$ ]

### Mechanical data

Force factor (BI)	5.33	[Tm]
Moving mass ( $M_{ms}$ )	17.6	[g]
Compliance ( $C_{ms}$ )	0.621	[mm/N]
Admittance ( $A_{ms}$ )	0.0483	[mm/N]
Mechanical resistance ( $R_{ms}$ )	0.620	[Ns/m]