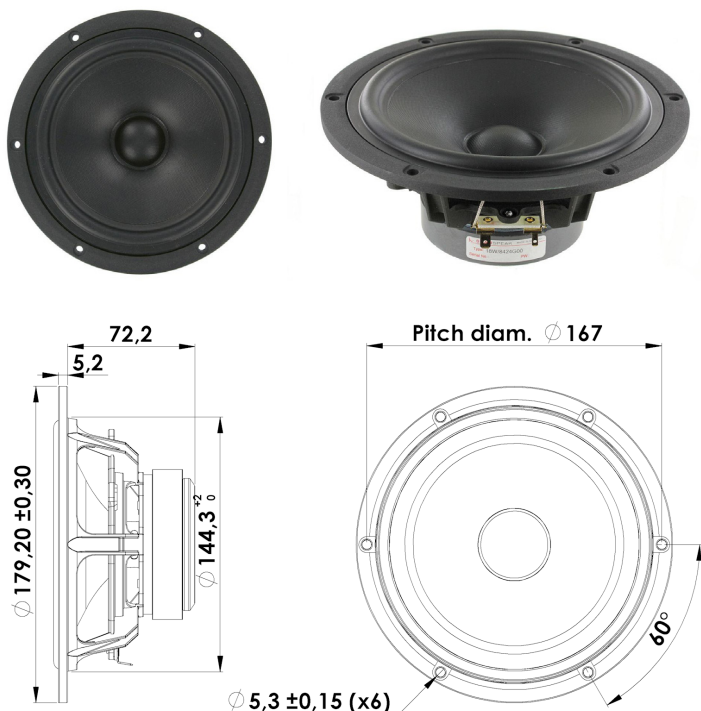


18 cm Midwoofer

18W/8424G00



T-S Parameters:

Resonance frequency [fs]	54 Hz
Mechanical Q factor [Qms]	4.04
Electrical Q factor [Qes]	0.51
Total Q factor [Qts]	0.45
Force factor [Bl]	6.6 Tm
Mechanical resistance [Rms]	0.95 kg/s
Moving mass [Mms]	11.3 g
Compliance [Cms]	0.77 mm/N
Effective diaph. diameter [D]	132 mm
Effective piston area [Sd]	137 cm ²
Equivalent volume [Vas]	20.3 l
Sensitivity (2,83V/1m)	89.5 dB

Mechanical Data:

Voice coil diameter	25 mm
Voice coil height	10.2 mm
Voice coil layers	2
Gap height	5 mm
Linear excursion	± 2.6 mm
Max mech. excursion	± 8 mm
Unit weight	1.1 kg
Cabinet Displacement Volume	0.28 l

Electrical Data:

Nominal impedance [Zn]	8 Ω
Minimum impedance [Zmin]	6.4 Ω
Maximum impedance [Zo]	50.9 Ω
DC resistance [Re]	5.7 Ω
Voice coil inductance [Le]	0.69 mH

Power Handling:

100h RMS noise test (IEC 18.4)	50 W
Long-term max power (IEC 18.2)	110 W
X-over:	None

Key Features:

- High Output 89,5dB @ 2,83V
- Excellent Midrange Performance
- Coated NRSC Fibre Glass Cone
- Low Damping SBR Rubber Surround
- Die cast Alu Chassis vented below spider

Recommendations (please see Tech Note):

- Operating frequency range: fs-8000 Hz
- Cabinet volume - closed box: Vbox=16 ltr, f(-3dB)=81 Hz
- Cabinet volume - vented box: Vbox=34 ltr, fb=44 Hz, f(-3dB)=41 Hz

