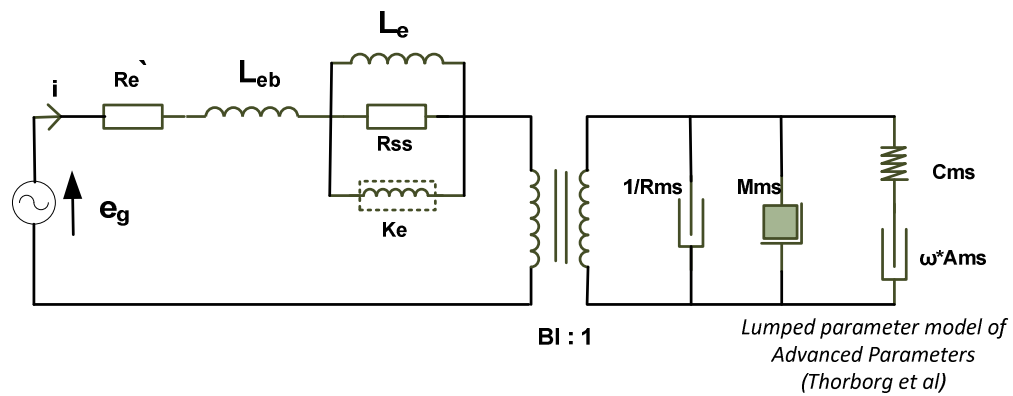


21W/8555-10



Electrical data

DC resistance ($R_{e'}$)	5.58	[Ω]
Free inductance (L_{eb})	0.158	[mH]
Bound inductance (L_e)	2.04	[mH]
Semi inductance (K_e)	0.033	SH
Shunt resistance (R_{ss})	101	[Ω]

Mechanical data

Force factor (BI)	7.81	[Tm]
Moving mass (M_{ms})	33.9	[g]
Compliance (C_{ms})	1.22	[mm/N]
Admittance (A_{ms})	0.09	[mm/N]
Mechanical resistance (R_{ms})	0.70	[Ns/m]