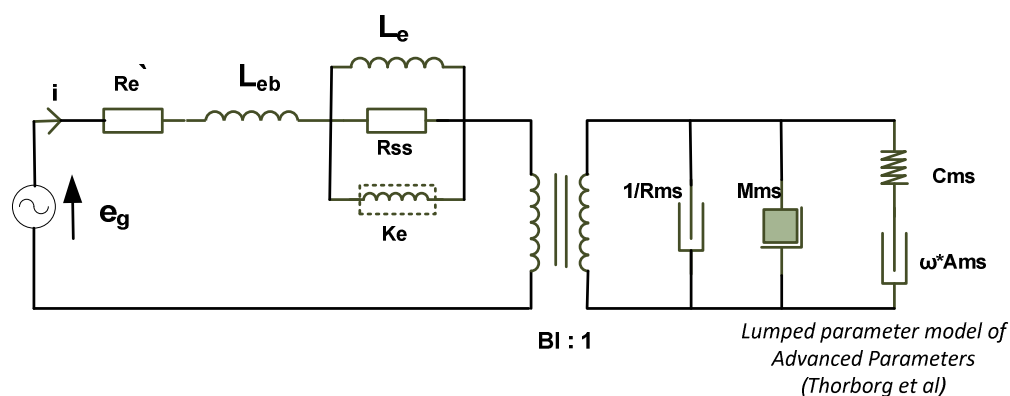


26W/8867T00



Electrical data

DC resistance ($R_{e'}$)	6.32	[Ω]
Free inductance (L_{eb})	0.170	[mH]
Bound inductance (L_e)	0.823	[mH]
Semi inductance (K_e)	0.0379	SH
Shunt resistance (R_{ss})	2309	[Ω]

Mechanical data

Force factor (BI)	9.28	[Tm]
Moving mass (M_{ms})	54.3	[g]
Compliance (C_{ms})	1.12	[mm/N]
Admittance (A_{ms})	0.210	[mm/N]
Mechanical resistance (R_{ms})	0.086	[Ns/m]