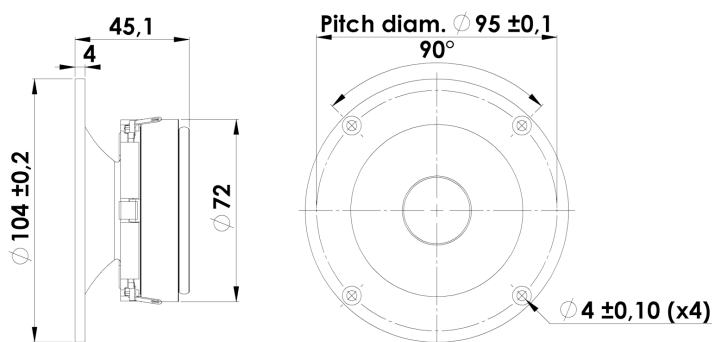


26 mm Dome Tweeter

H2606/920000



T-S Parameters:

Resonance frequency [fs]	1030 Hz
Mechanical Q factor [Qms]	2.1
Electrical Q factor [Qes]	1.2
Total Q factor [Qts]	0.7
Force factor [Bl]	3.3 Tm
Mechanical resistance [Rms]	1.3 kg/s
Moving mass [Mms]	0.4 g
Compliance [Cms]	- mm/N
Effective diaph. diameter [D]	26 mm
Effective piston area [Sd]	5.7 cm ²
Equivalent volume [Vas]	- l
Sensitivity (2,83V/1m)	95 dB

Mechanical Data:

Voice coil diameter	25 mm
Voice coil height	1.6 mm
Voice coil layers	2
Gap height	2 mm
Linear excursion	± 0.2 mm
Max mech. excursion	± 1.6 mm
Unit weight	0.6 kg
Cabinet Displacement Volume	0.13 l

Electrical Data:

Nominal impedance [Zn]	6 Ω
Minimum impedance [Zmin]	5.0 Ω
Maximum impedance [Zo]	14.2 Ω
DC resistance [Re]	4.7 Ω
Voice coil inductance [Le]	0.05 mH

Power Handling:

100h RMS noise test (IEC 18.4)	100 W
Long-term max power (IEC 18.2)	200 W
X-over: 2. order HP Butterworth, 2.5 kHz	

Key Features:

- Horn Loaded High Sensitivity Tweeter
- High Stability
- Low Damping Ferrofluid Cooling
- High Performance Tweeter
- Coated Textile Diaphragm
- Dampened Cavity in Pole Piece

Recommendations (please see Tech Note):

- Operating frequency range: 2500-20000 Hz
- Cabinet volume - closed box: N.a.
- Cabinet volume - vented box: N.a.

